

# Product leaflet

**Product**  
Protective film

**Model No.**  
SR 343  
SR 353

**Ordering No.**  
T01-1204  
T01-1205

## Product Description

The protective films are used for protecting the visor of the Sundström SR 200 full face mask Air Purifying Respirator (APR) and SR 200 Airline full face mask Supplied Air Respirator (SAR) against fouling, e.g. during spray painting.

The SR 343 is of spherical shape and fits the SR 200 with polycarbonate visor.

The SR 353 is flat and fits the SR 200 with glass visor.

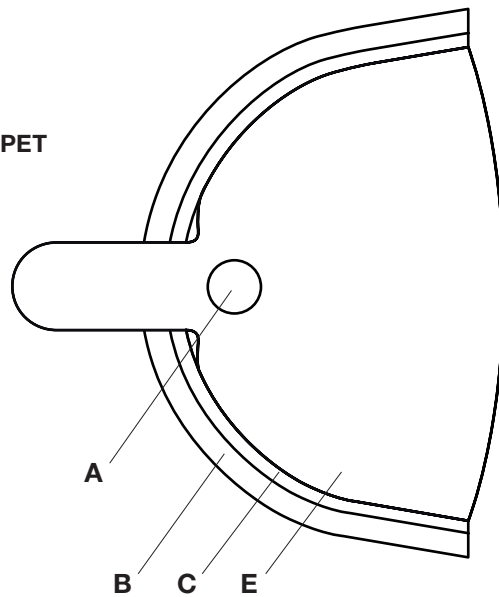
The outer edges of the film are provided with double-sided adhesive tape that keeps the films in place. No more than three films should be fitted at a time. The film is delivered in a pack of ten.

## Technical specification

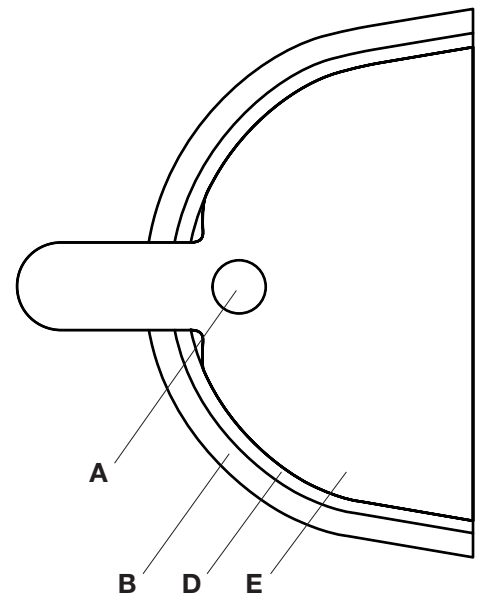
SR 343, SR 353

<b>Material</b>	Polyester
<b>Thickness</b>	0.008 in (0,2 mm)

- A. Adhesive tape**
- B. Frame**
- C. PC visor**
- D. Glass visor**
- E. Protective film PET**



SR 343



SR 353

**Sundstrom Safety Inc.**

143 Maple St.  
Warwick, RI 02888

Office: 1-401-434-7300  
Toll Free: 1-877-SUNDSTROM  
Fax: 1-401-434-8300

info@srsafety.com  
www.srsafety.com